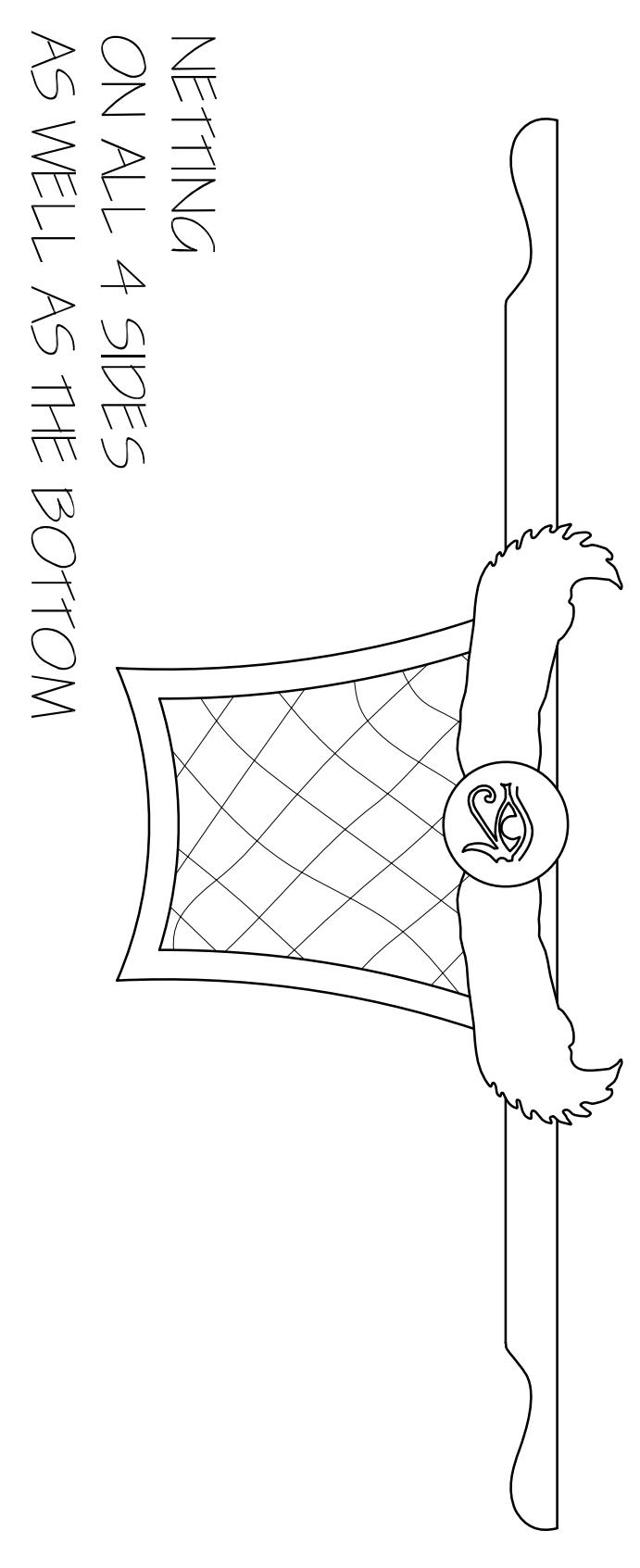
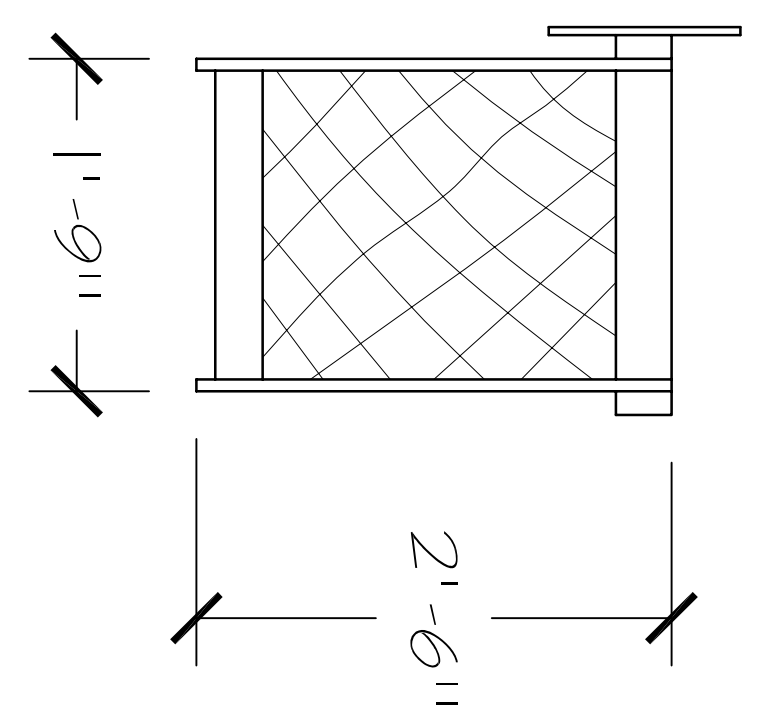


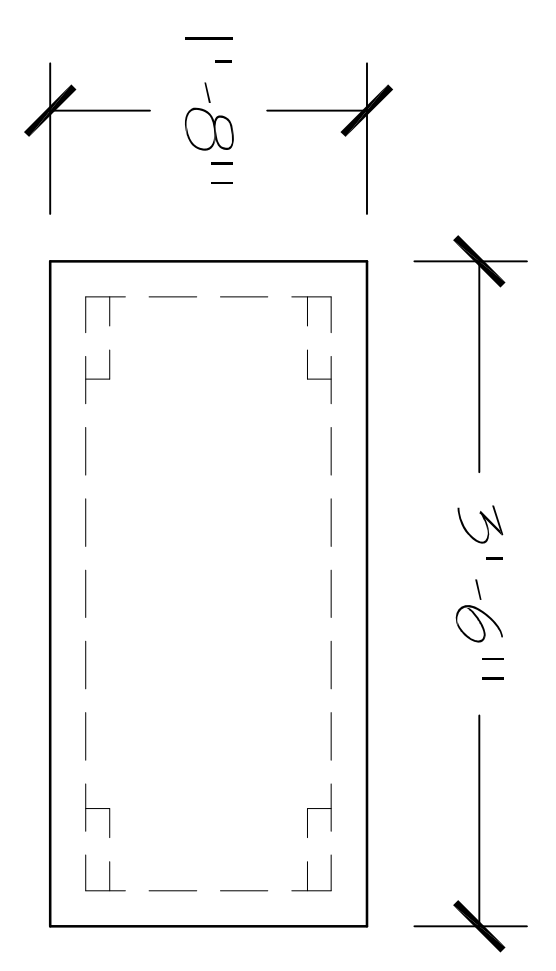
TREASURE BASKET



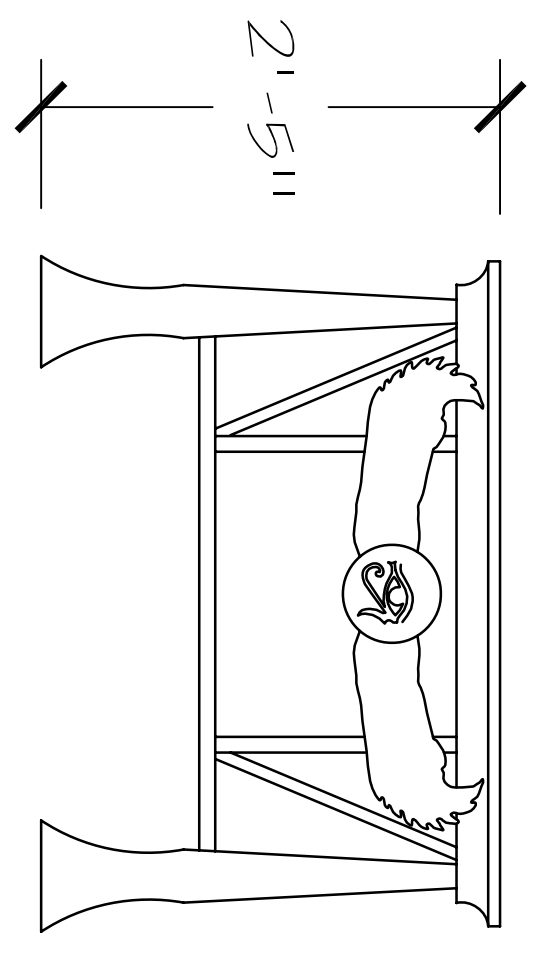
NETTING ON ALL 4 SIDES AS WELL AS THE BOTTOM



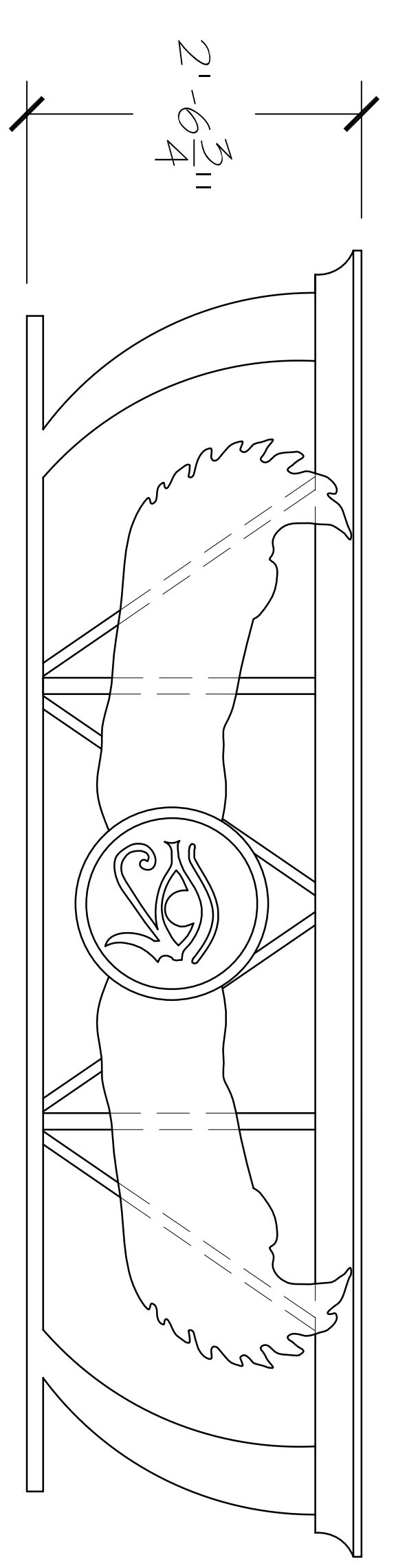
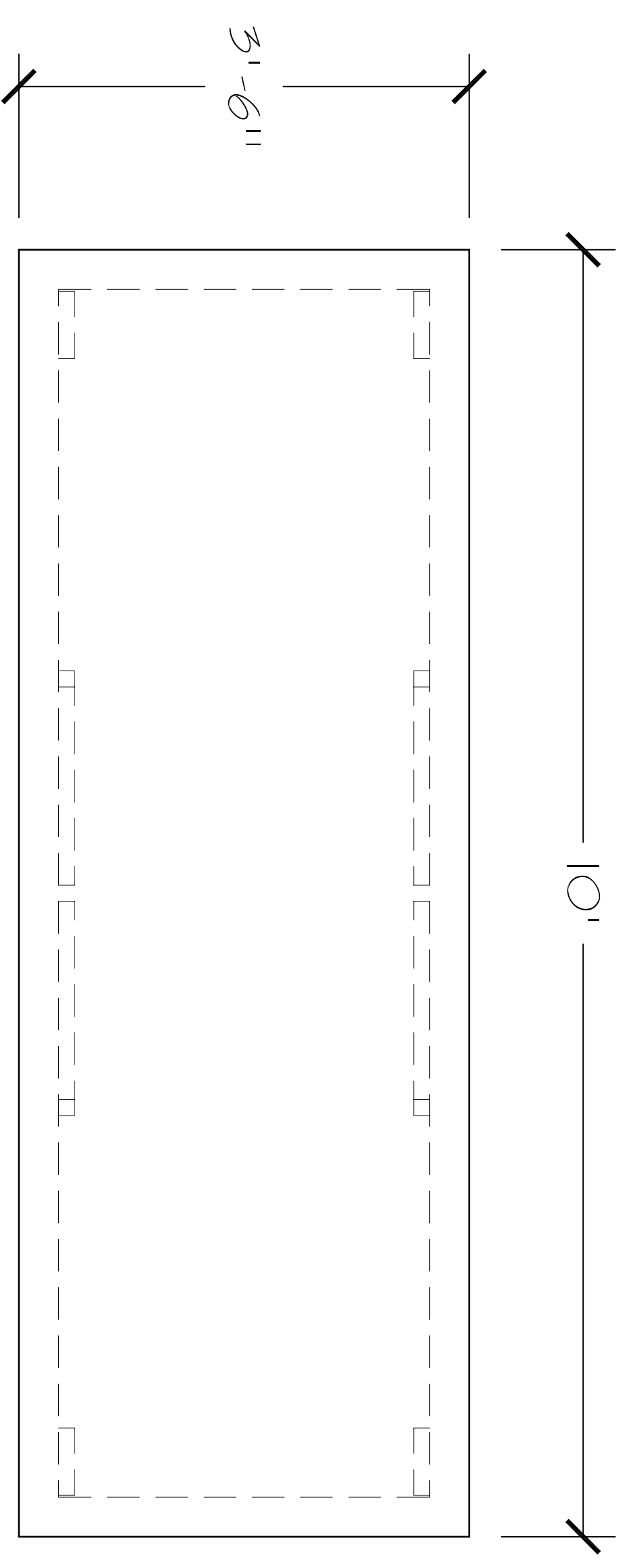
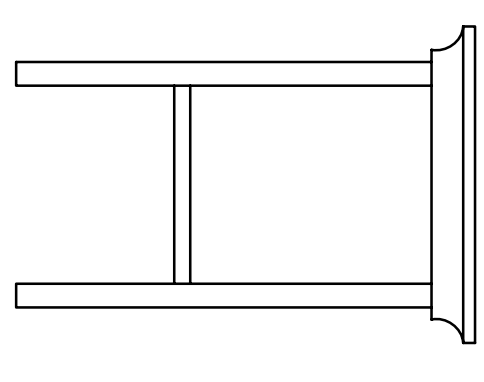
TREASURE NET ORTHOGRAPHIC



DRESSING TABLE ORTHOGRAPHIC



2'-5 1/2"

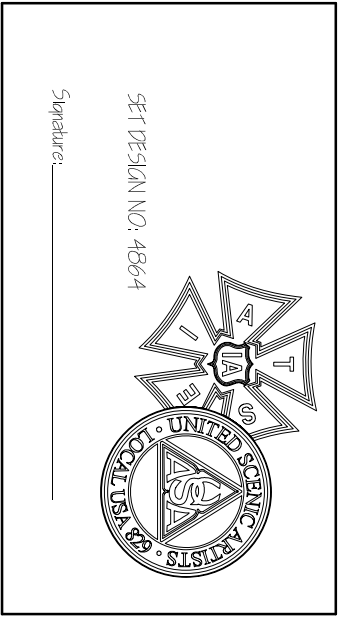


2'-6 3/4"

EGYPTIAN BANQUET TABLE

TABLES ROLLED OUT (CASTERED) WITH DANCERS DANCING ON TOP OF IT!!!

1" = 1'-0" SCALE FURNITURE DRAWINGS



DATE NO. **P1**  
OF: 16

THE MUNY  
FOREST PARK  
PO BOX 1074  
ST. LOUIS, MO 63121-0798  
314-361-800 EXT. 550 BOX OFFICE  
WWW.MUNY.ORG

Elton John and Tim Rice's  
**ALDA**

Executive Producer: Paul Slika  
Production Producer: Michel Lortz  
Choreographer: Darren Lee  
Set Designer: Steve Gilliam  
Costume Designer: Mitch Dana  
Lighting Designer: Mitch Dana  
Production Stage Manager:

SCENIC DESIGNER:  
**STEVE GILLIAM & SAM CARTER GILLIAM**  
LINDY SCENIC ARTIST LOCAL 829  
5427 SQUANING CERAMIC TALENT  
210-494-7272

SCALE: 1/2" = 1'-0"  
DATE: APRIL 24, 2006  
TD:

ASSISTANT DESIGNER & DRAFTSMAN:  
Michael J. Ryan  
2097 Kent Ave  
Towson, MD 21286  
410-531-1605 ext 4179466-6979  
mryan@tda.com

PAGE 1887 7.2006